

PART NAME

NEMA 4X DIE CAST ALUMINUM ENCLOSURE

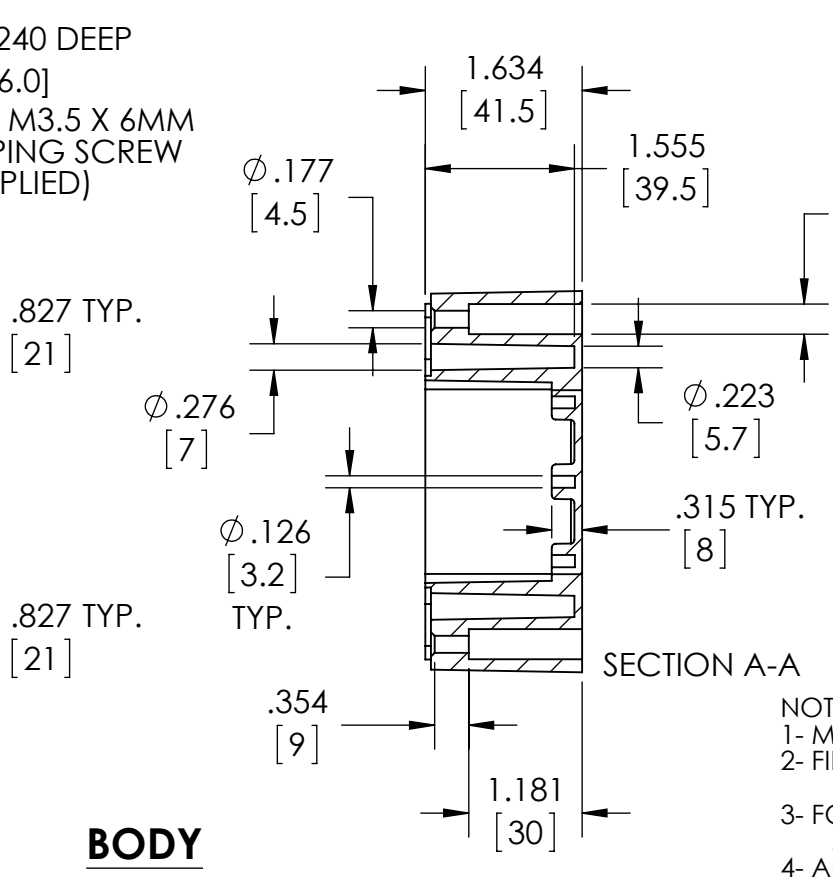
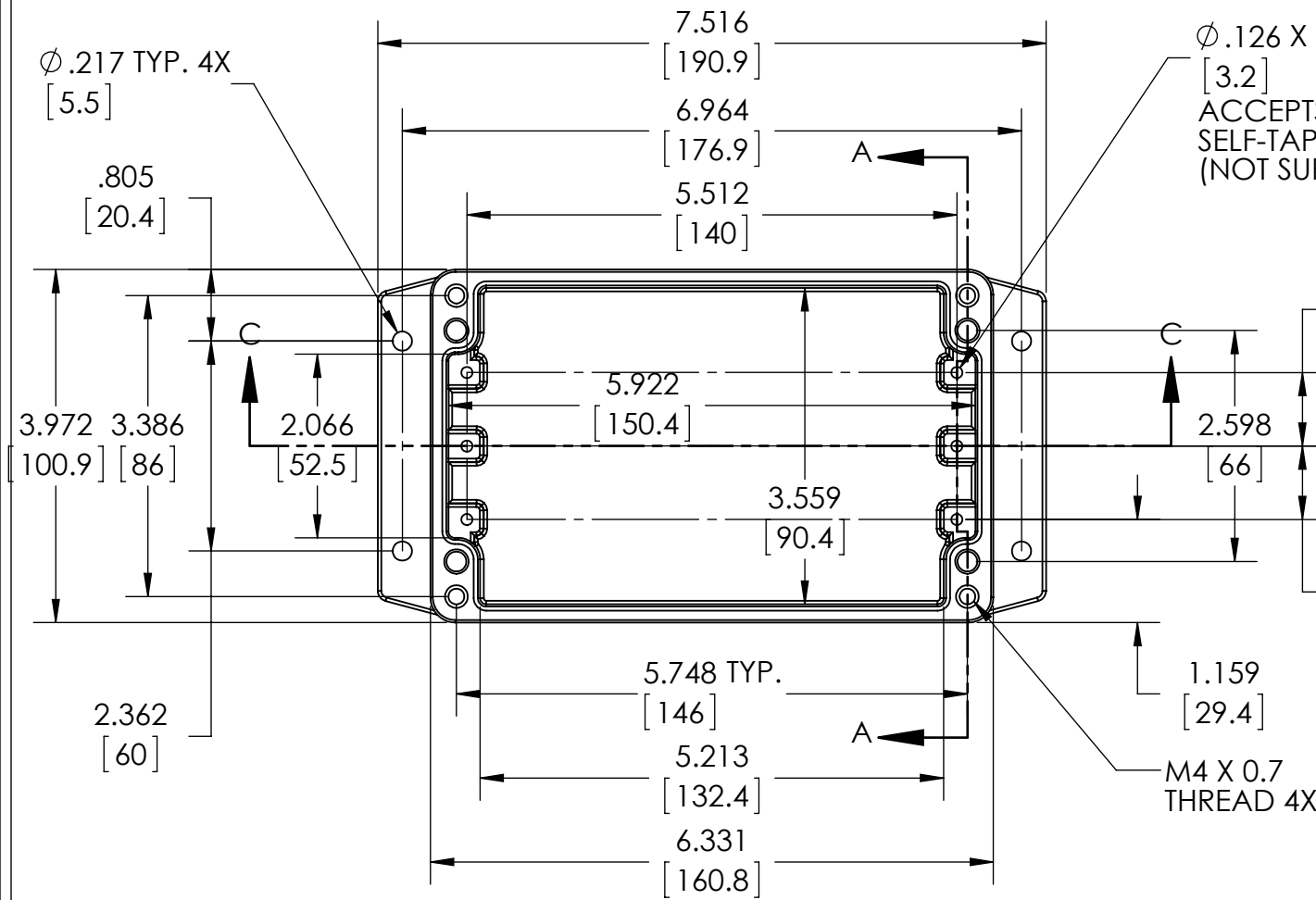
PART No.

AN-2866

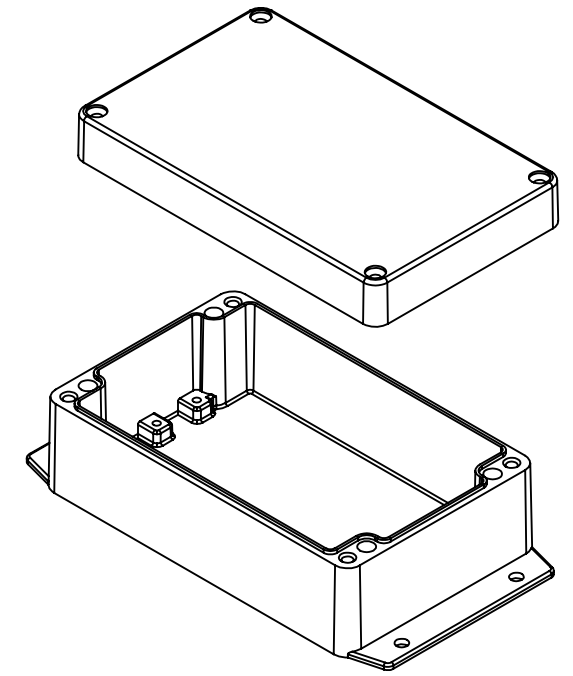
AN-2866-B

REVISION DATE

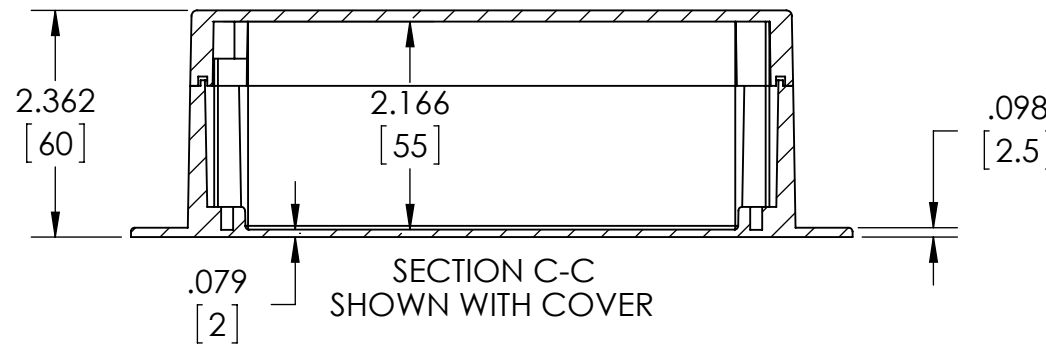
3-19-14



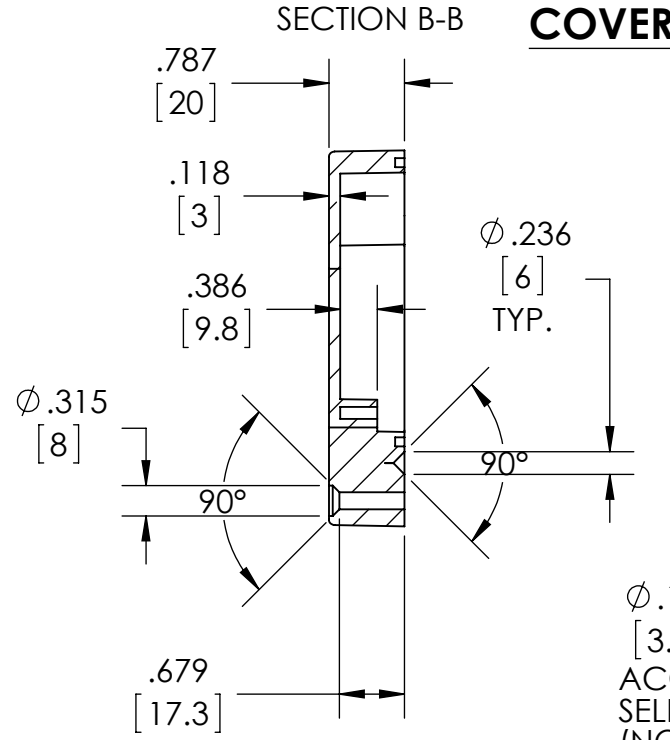
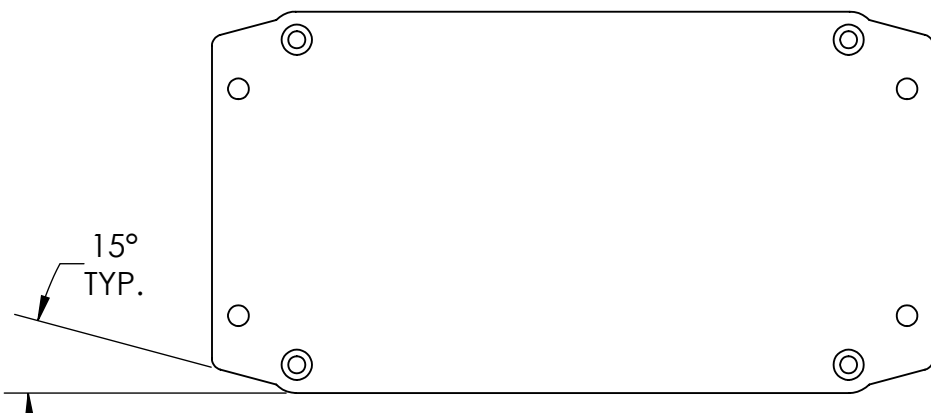
BODY



- NOTES:
 1- MATERIAL: ALUMINUM ALLOY ADC-12
 2- FINISH: NATURAL (NO SUFFIX) BLACK (SUFFIX -B)
 3- FOUR (4) M4 X 0.7mm SCREWS SUPPLIED FOR ASSEMBLY OF COVER TO BODY
 4- ALL HOLE DIAMETERS HAVE $\pm .005$ [.12] TOLERANCE. ALL OTHER DIMENSIONS HAVE $\pm .015$ [.38] TOLERANCE.
 5- ALL OUTSIDE DRAFT ANGLE: 1° ALL INSIDE DRAFT ANGLE: $1/2^\circ$
 6- DIMENSIONS ARE INCH[MM]



SECTION C-C SHOWN WITH COVER



COVER

